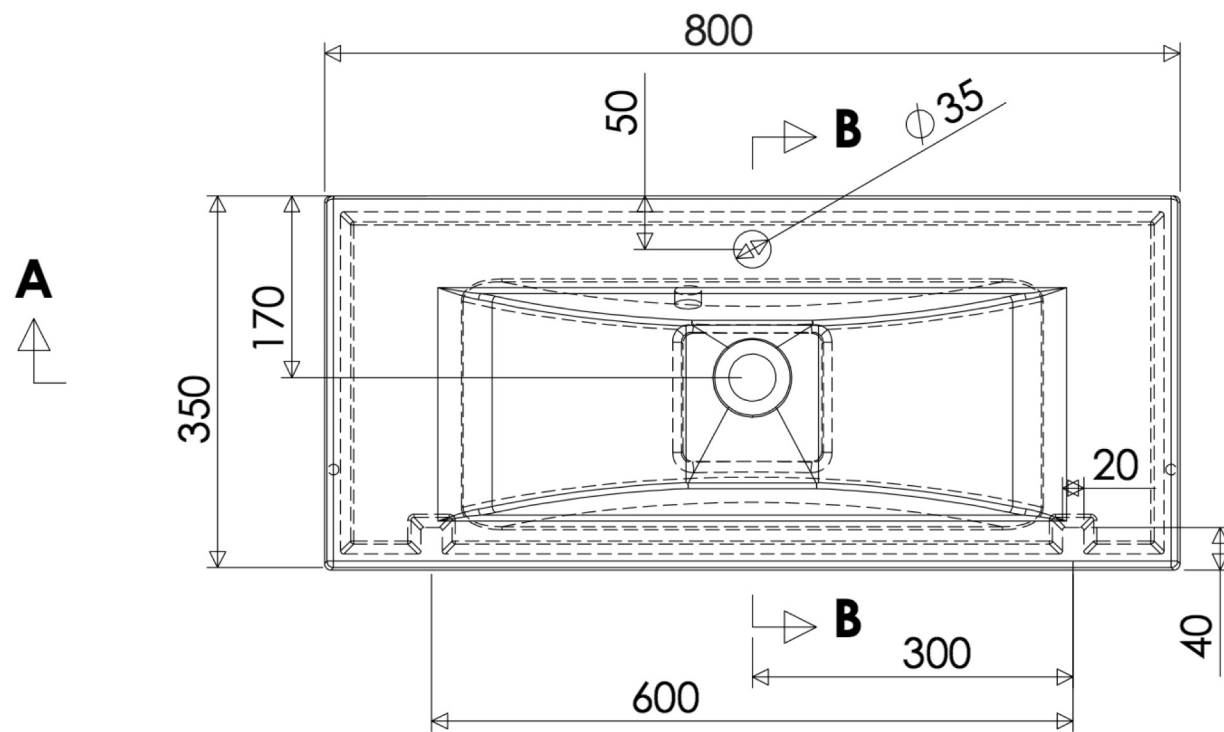
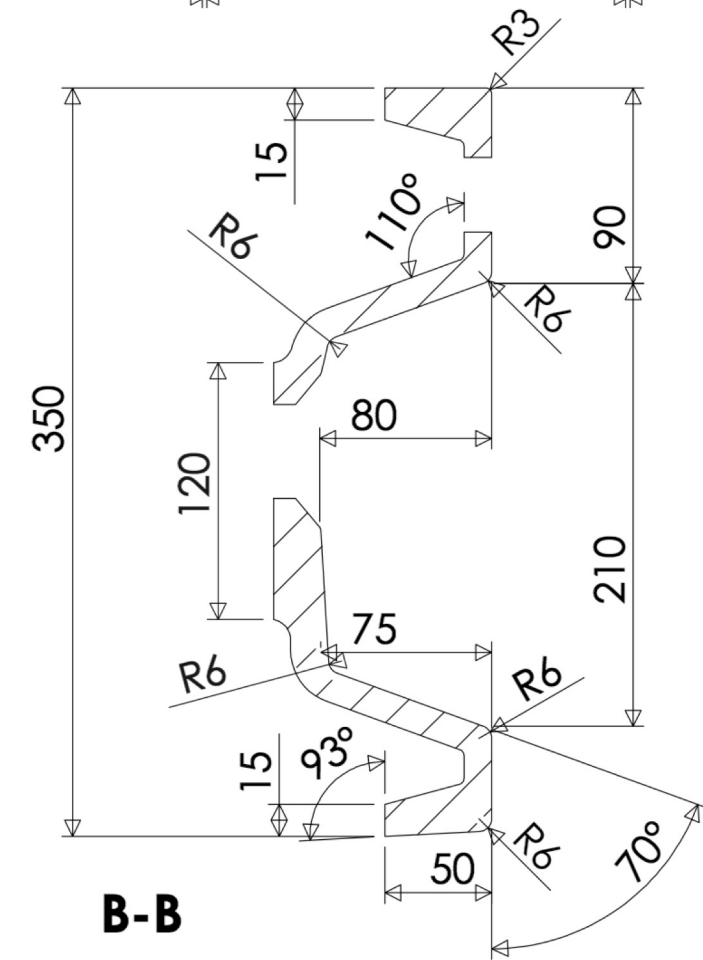


TOLERANCE: +3/-3 mm



A



VERONA 800 C